



ACTIVITY BOOK

CENTRAL TEXAS

CTHBA ★

HOME BUILDERS ASSOCIATION

FOR THE
SKILLED TRADES





Our Goal...

This book was created by the Central Texas Home Builders Association so that all children will know that they can be anything they want to be when they grow up! We would like to thank the National Professional Women in Building for your guidance and support! One goal of the Central Texas Home Builders Association is to educate about the many opportunities available to our youth. Tool kits, activity books and posters are passed out to school administrators, counselors, students and anyone who wants to be involved in helping restore the skilled trades industry. We are finding the desire is there for school administration, teachers, guidance counselors, etc. to be part of our skilled trades world and they want us to help them educate parents on the many options their children have after high school.

Our goal is to get children exposure in many different fields of the skilled trades industry during elementary school and continuing through high school. This makes going into the skilled trades as viable as a four-year degree after high school graduation. The Central Texas Home Builders Association wants the youth of today to know that they have options!

We also hope to bridge the gender gap in the construction world. We have some awesome events in the works! Working together as a united front helps us all accomplish more. It also shows that we do not look at gender but rather see youth, and those who are joining the skilled trades later in life, as people with the ability to be successful at a job they love.

We are proud to partner with you for future generations!

*Sincerely,
Central Texas Home Builders Association*

I

For more information please go to www.cthba.info.

Activity Book for the Skilled Trades

Presented by:
Central Texas Home Builders Association

CONTACT INFORMATION

Learn more about careers within the skilled trades and events coming up to participate in!



Central Texas Home Builders Association

254-699-6964

www.cthba.info



Word Search

Find the following jobs in the Skilled Trades.

Y R N O S A M P K L P Q E P K
J Y U R F S A T A E S L Y R P
J H H H Q I K C N B E J J V L
K K H E N H I H J X G D R N U
C M Q T T R S B Y A R I C W M
M A E X T Y C M S F U J A N B
R R R C W T R M Z K G K V I I
C F E P R S C W T U Y L H B N
H L R X E E Z M G U M U G D G
E S S E Y N D V R G A Z Q O T
D M F K T Z T L U Q J S I A H
N D G C A C B R I S M I W C W
R M I E B Y O Z Y U K U M I M
M W U K F Q T S S X B B V N H
A R C H I T E C T T I L S H T

Word Bank:

ARCHITECT
BUILDER

CARPENTRY
ELECTRICAL

HVACR
MASONRY

PAINTER
PLUMBING

Creative Building Skills

Can you solve these math problems using the key at the bottom?

$$\text{Ladder} + \text{Hard Hat} = \square$$

$$\text{Hammer} - \text{Ladder} = \square$$

$$\text{Hammer} + \text{Wrench} = \square$$

$$\text{Hard Hat} - \text{Wrench} = \square$$

$$\text{Ladder} + \text{Hammer} = \square$$

$$\text{Wrench} - \text{Hammer} = \square$$

$$\text{Hammer} + \text{Hard Hat} + \text{Wrench} - \text{Ladder} = \square$$

Key

$$\text{Ladder} = 1$$

$$\text{Hammer} = 2$$

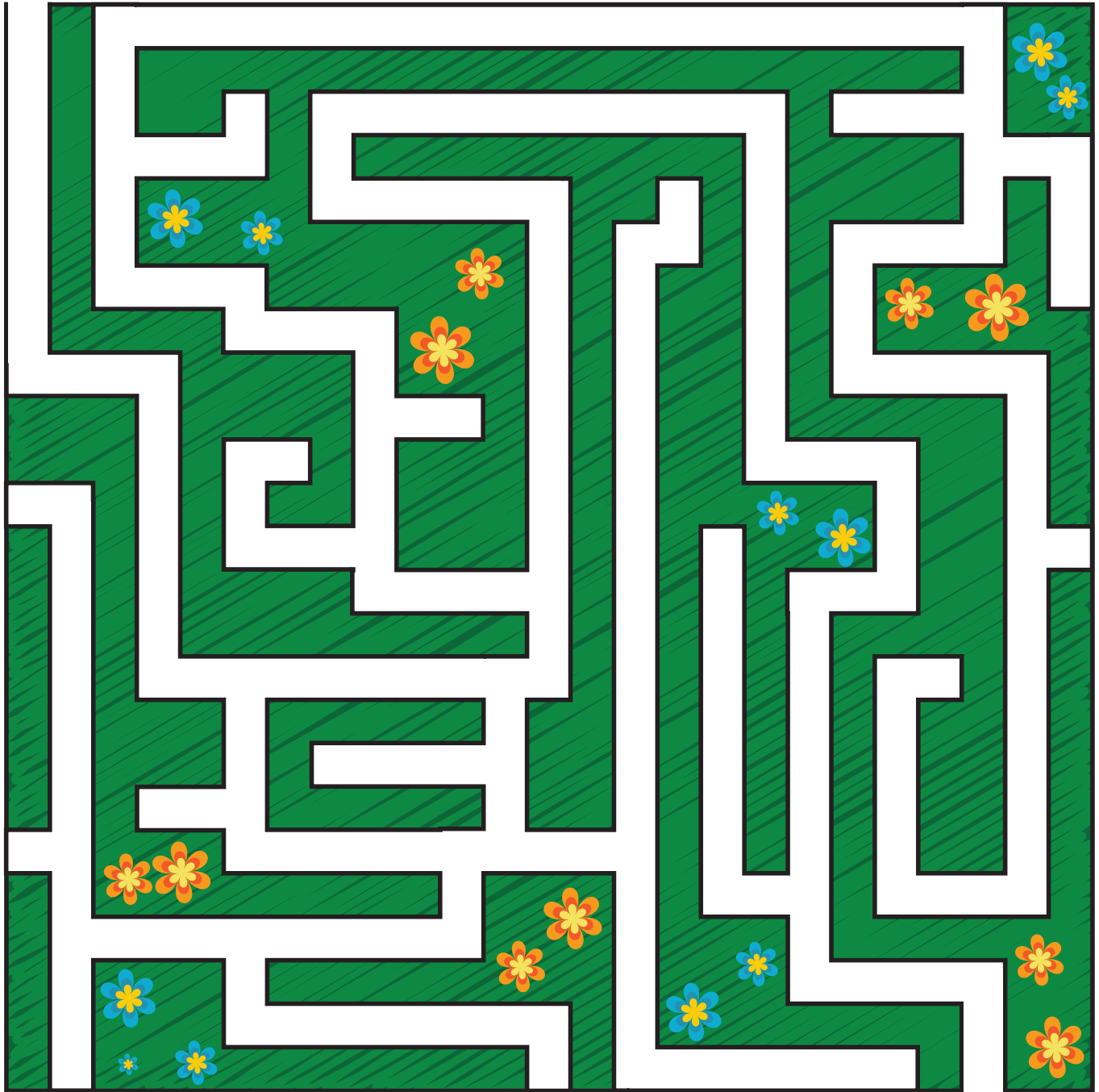
$$\text{Wrench} = 3$$

$$\text{Hard Hat} = 4$$

Garden Maze

Billy, the Landscape Artist, created a maze in the park.
Can you get from start to finish?

Start

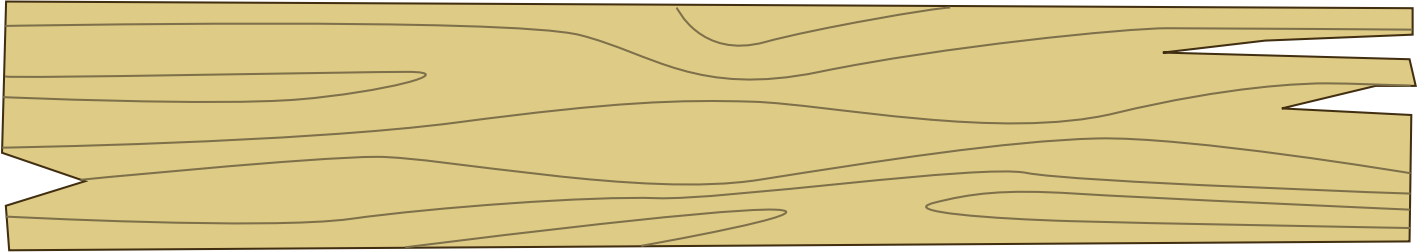


Finish

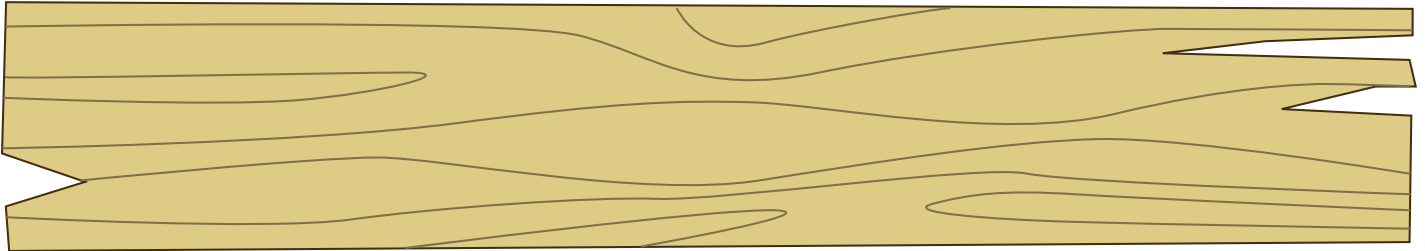
Help Measure The Wood

Andrea needs help measuring the wood so she knows where to cut each piece. Use a ruler and draw a line at each specified distance.

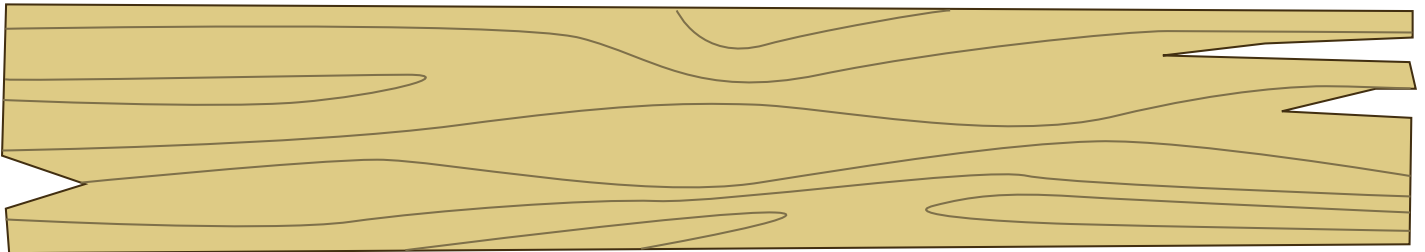
6 inches



4 1/2 inches



2 3/4 inches

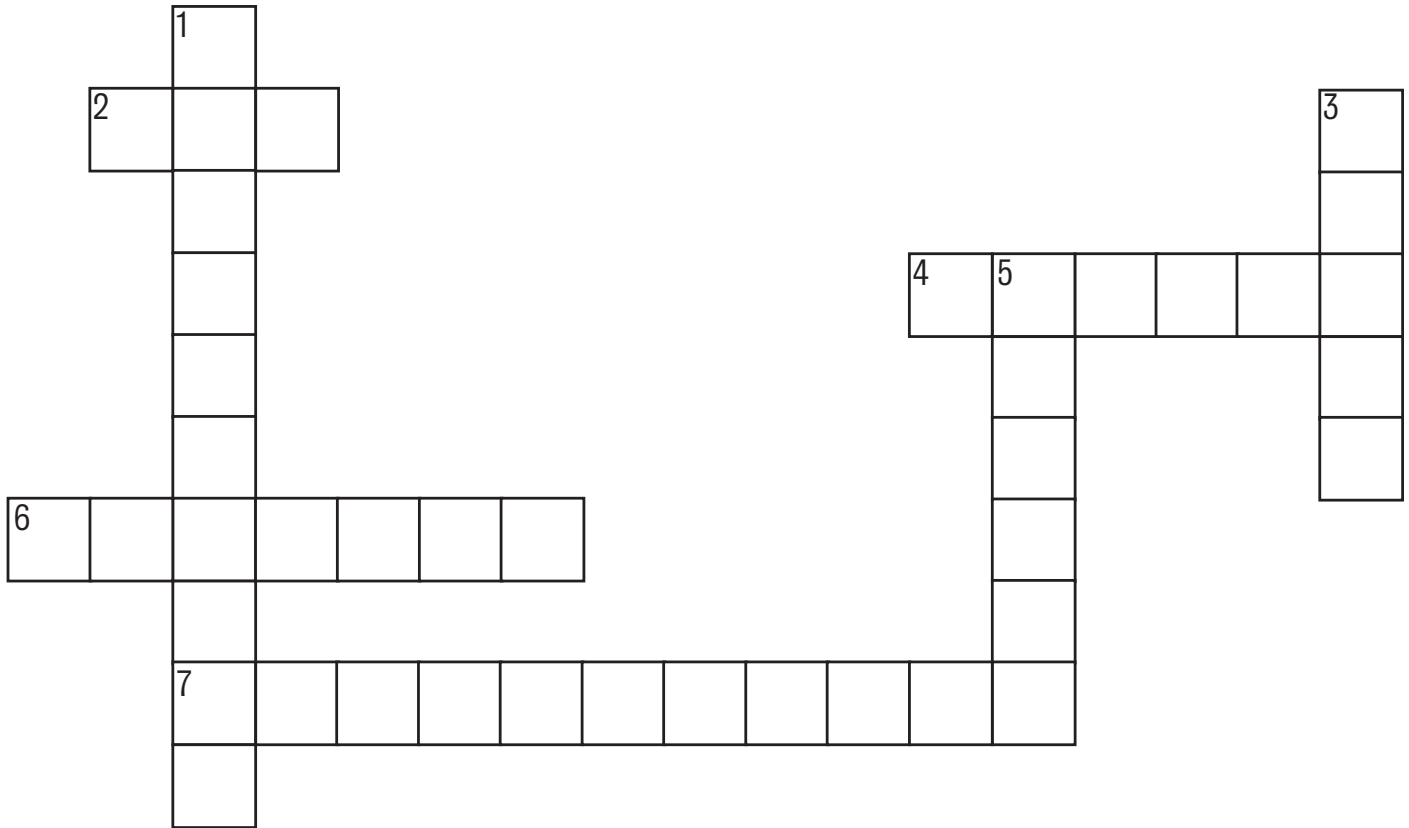


3 7/8 inches



Crossword Puzzle

Tools used in the Skilled Trades.



ACROSS

- 2 Use this to cut wood in half
- 4 Use this to dig a hole
- 6 Use this to protect your head
- 7 Use this to twist a screw in the wall

DOWN

- 1 Use this to apply paint to the wall
- 3 Use this to measure
- 5 Use this to put nails in wood

Answer Key: 1. Paintbrush 2. Saw 3. Ruler 4. Shovel 5. Hammer 6. Hard Hat 7. Screwdriver

Word Scramble

Help unscramble each word!

O S U H E

— — — — —

R C U K T

— — — — —

G V L O S E

— — — — —

M A H E M R

— — — — —

Answer Key: House, Truck, Gloves, Hammer

Connect the Dots



Match Up

Can you figure out which job uses which item?
Draw a line connecting each job with the item they use.

Job

Item

Painter

Light Bulb

Electrician

Brick

Plumber

Saw

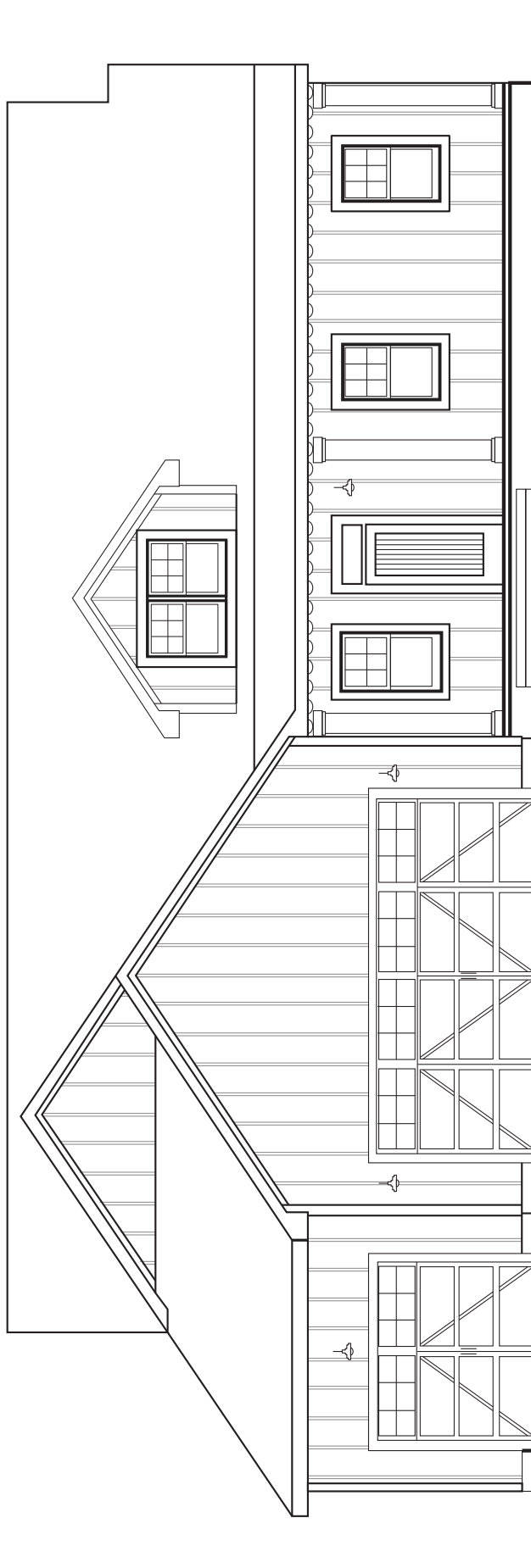
Carpenter

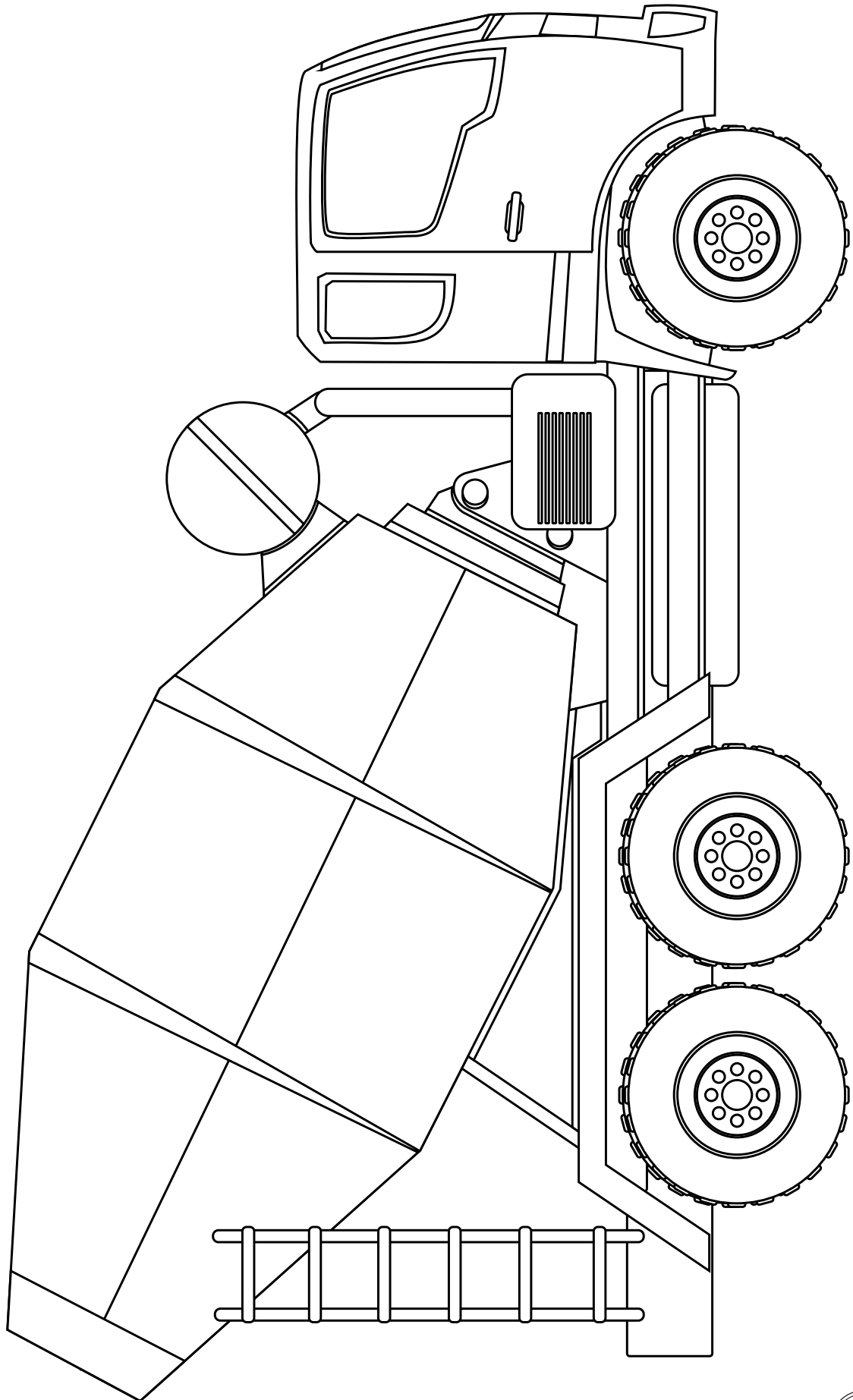
Paint Brush

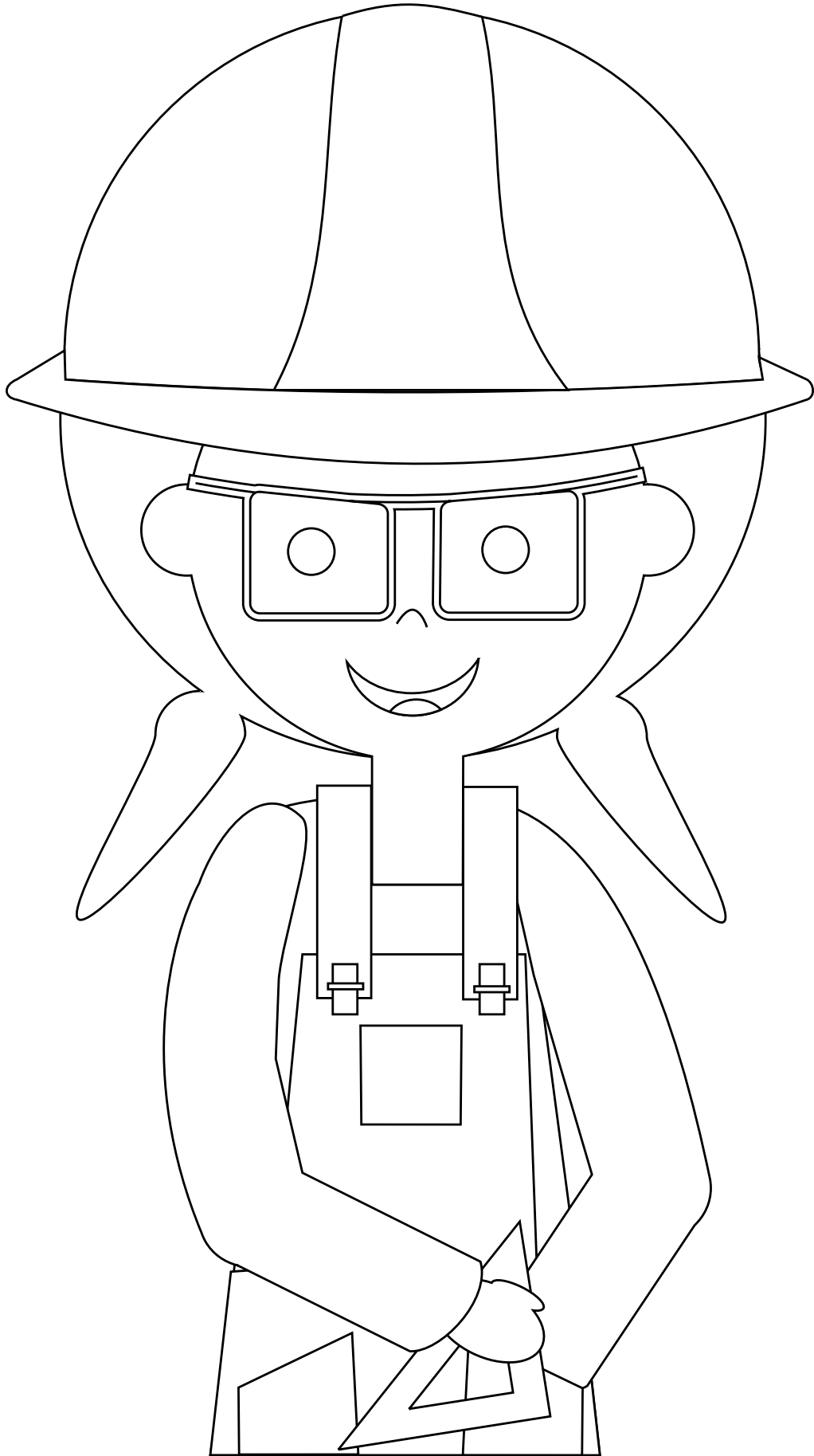
Masonry

Wrench

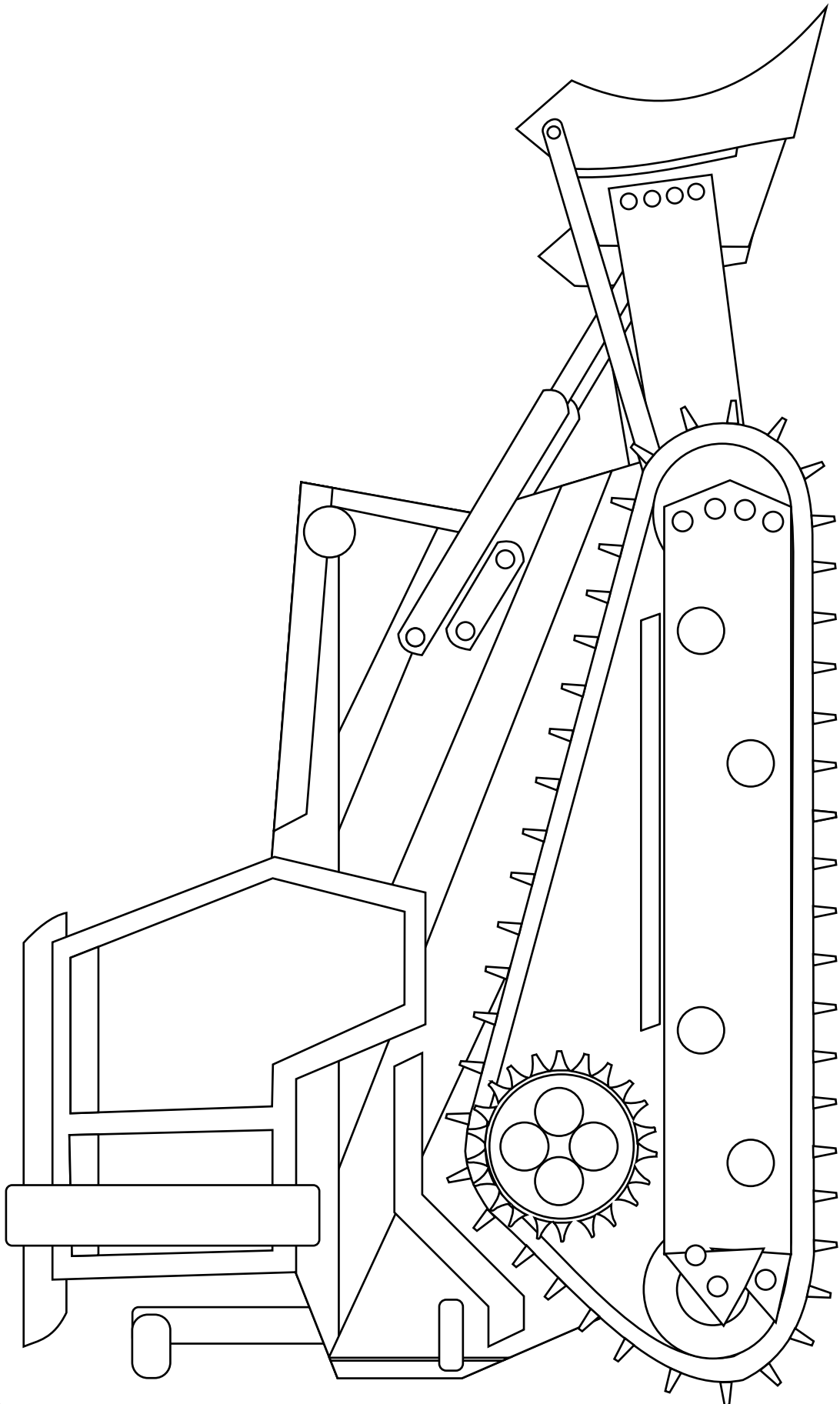
Answer Key: Painter - Paint Brush, Electrician - Light Bulb, Plumber - Wrench, Carpenter - Saw, Masonry - Brick

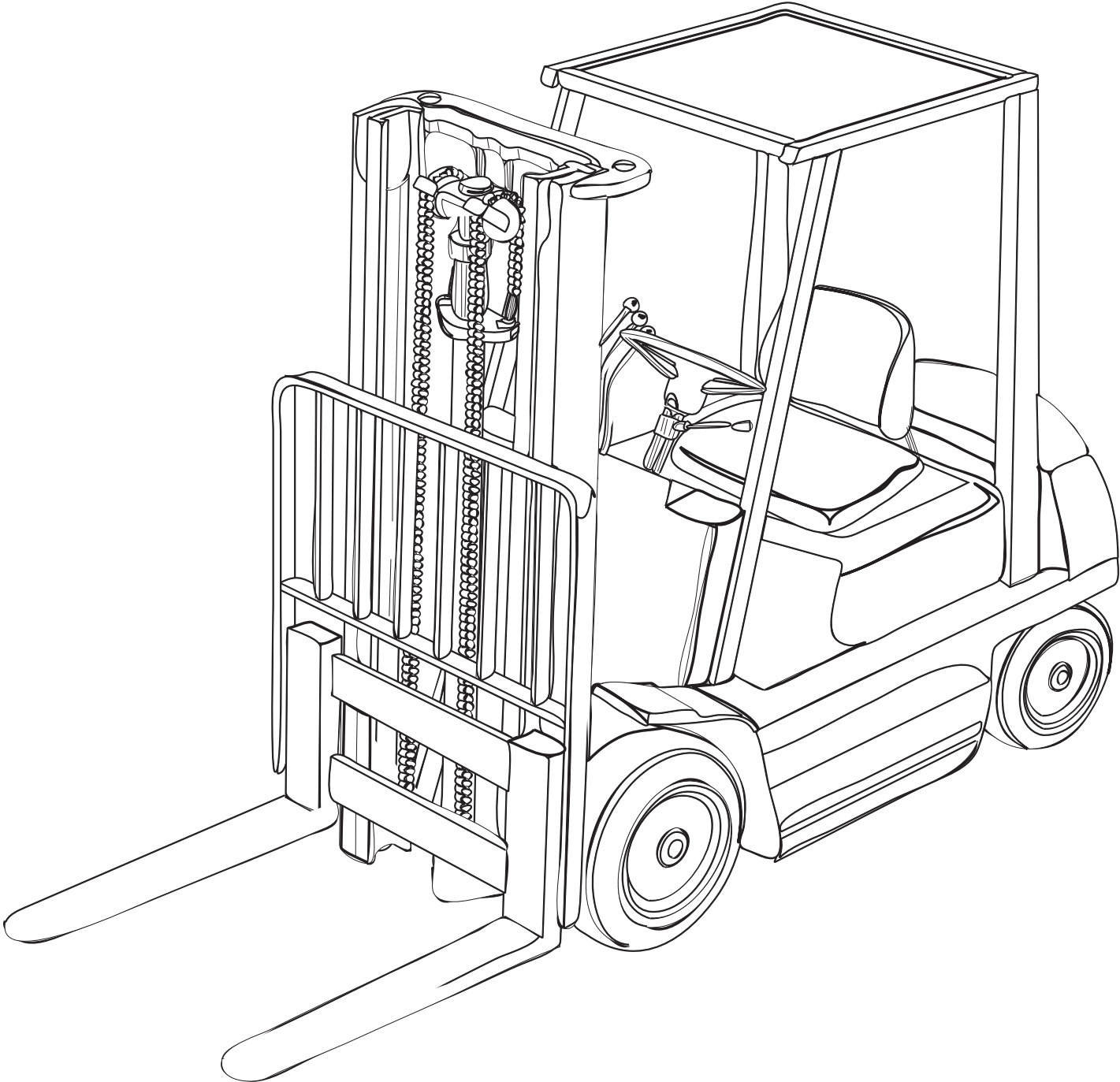








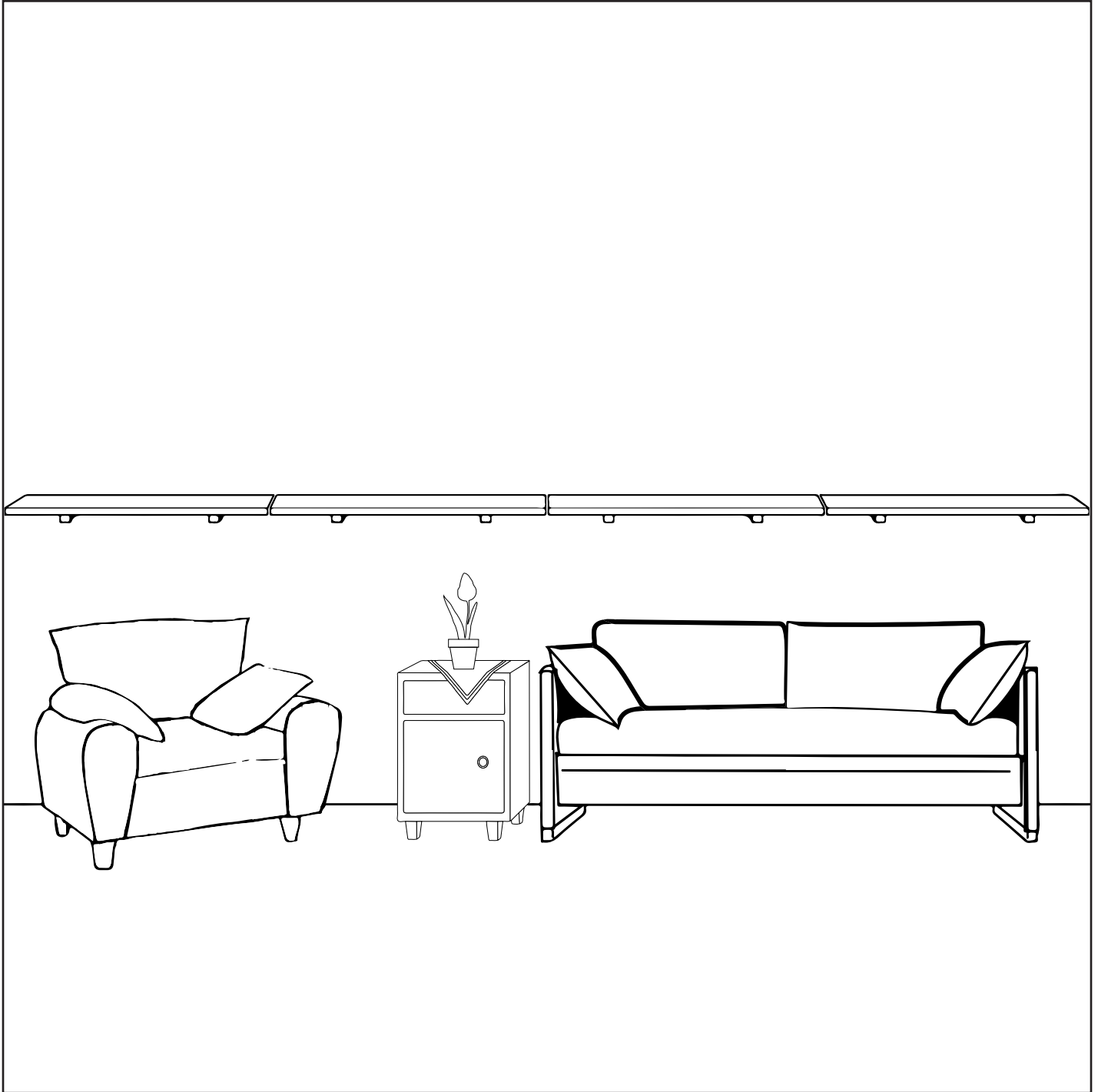






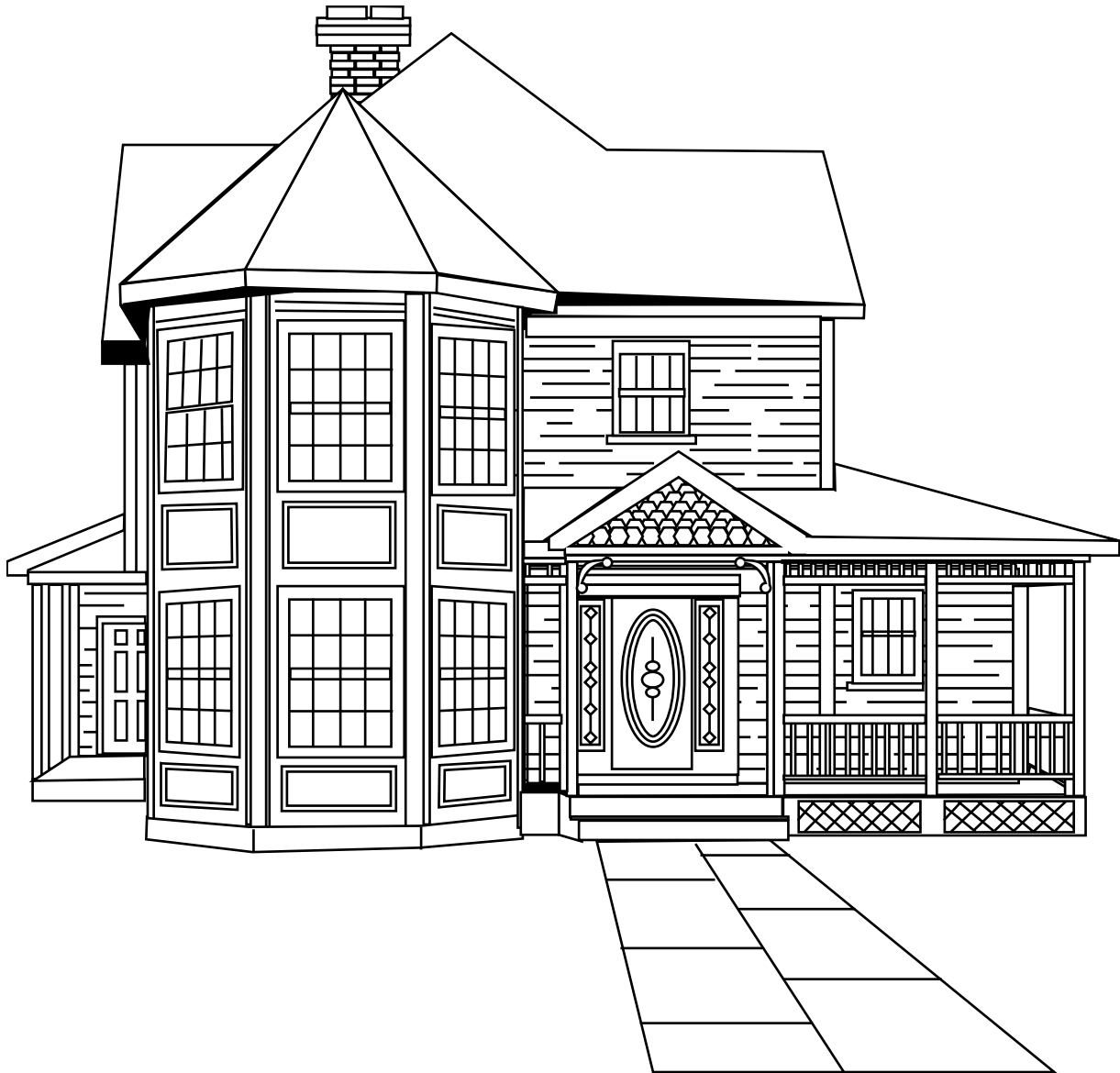
Decorate The Living Room

Design your own living room. What colors will you use? Try adding more items like a rug, art on the wall, or decorations on the shelves!



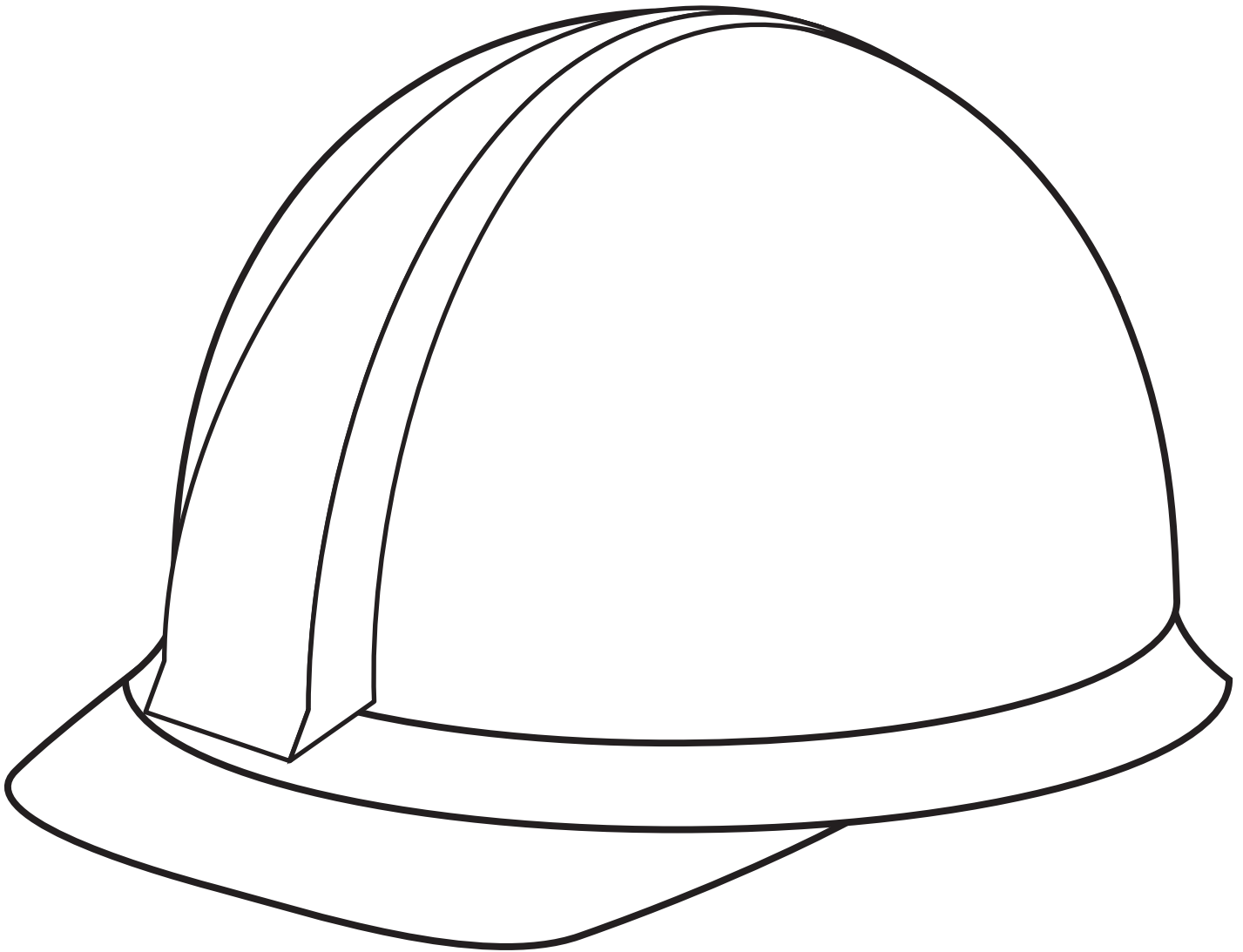
Landscape Design

This magnificent house needs some landscaping done. Add in flowers, trees, rocks, etc. to create a beautiful front yard!



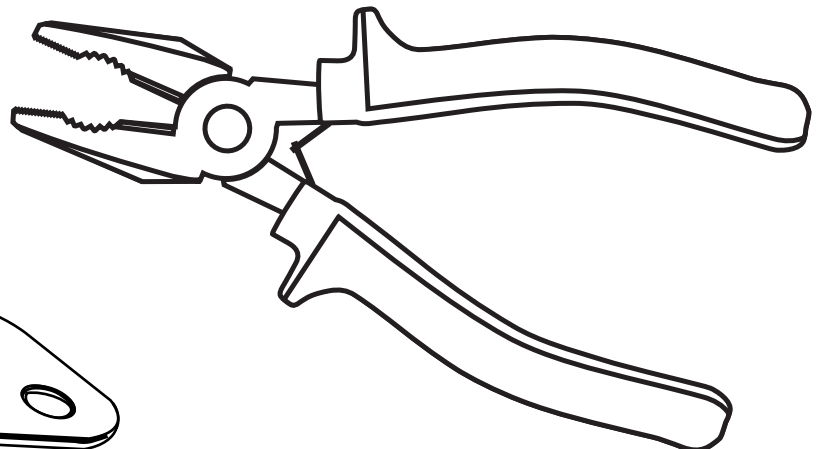
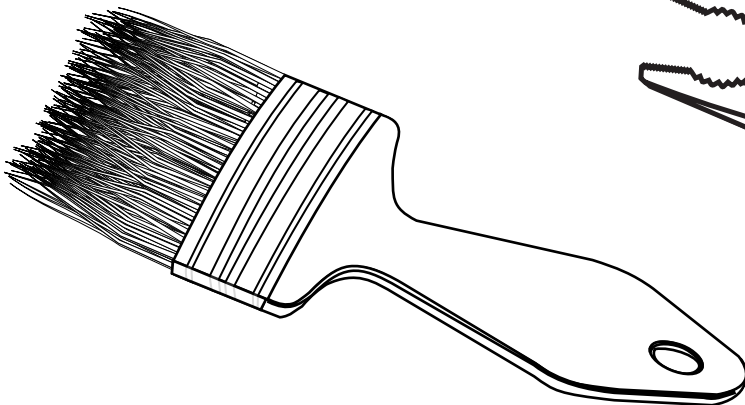
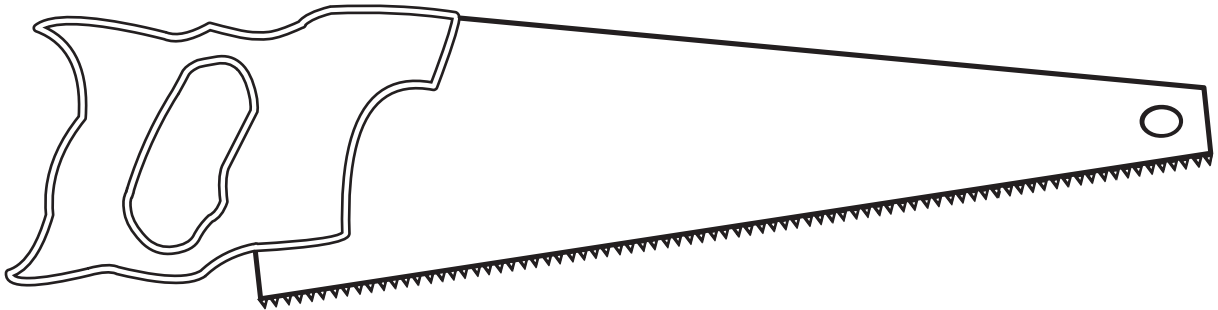
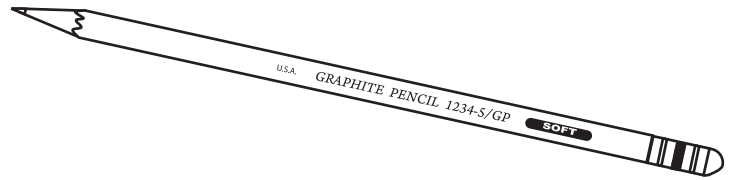
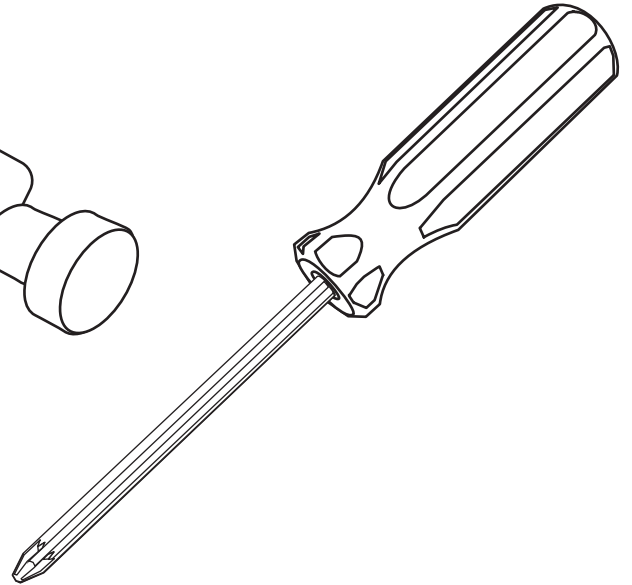
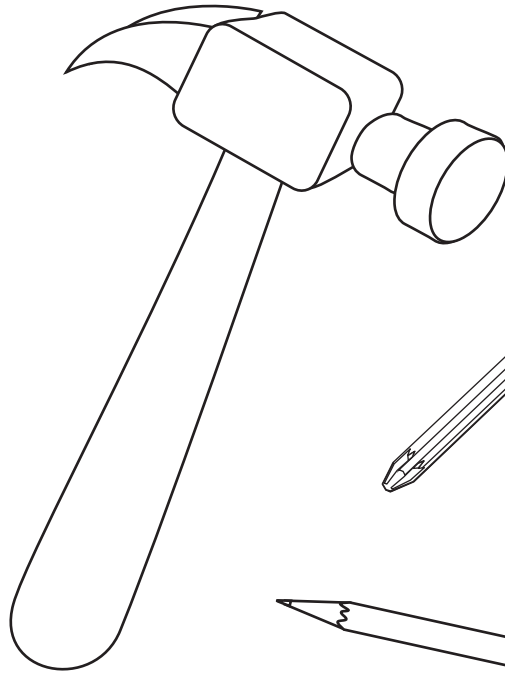
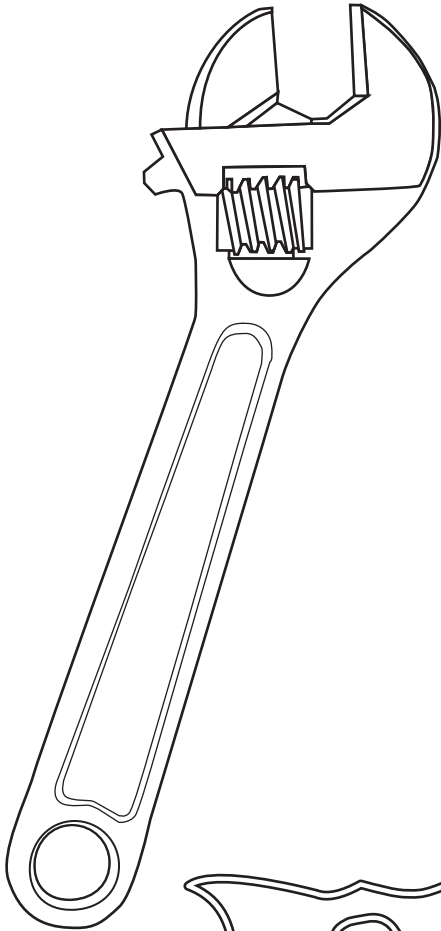
Decorate The Hard Hat

Design your personal hard hat.
What colors or patterns would you use?



Tools of the Trades

Can you name some of the tools that are used in the Skilled Trades?



When I grow up I want to be a/an

Draw yourself doing your dream job!